

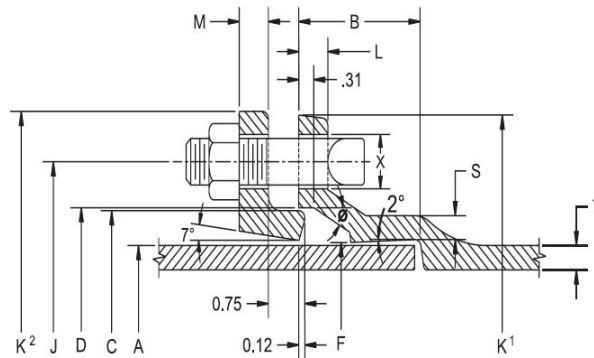
DOMESTIC

NON-DOMESTIC

## SUBMITTAL: C153 MECHANICAL JOINT PRODUCT

(Current revisions for the noted Standards apply)

- SIZES:** 2" - 64" (2" not included in ANSI/AWWA C153 standard)
- STANDARDS:** ANSI/AWWA C153/A21.53, NFPA13/24, 3"-16" UL and 3"-10" FM listed & approved (File - Tyler Union)
- MATERIAL:** Cast of ASTM A536 qualified ductile iron. Date code is cast on and required for traceability.
- PRESSURE RATING:** \*Flanged fittings rated at 250 psi. Mechanical joints 2" – 24" rated at 350 psi and 30" – 48" at 250 psi.  
\*Note: With rubber annular ring flange gasket, 2" – 24" Flanged fittings can be rated at 350 psi.  
Note: Wyes over 12" are not pressure rated. Contact Tyler Union for rating in your application.
- DEFLECTION:** Joint deflection 5° max for 2"– 12" and 3° max for 14"– 48". Reduces by 50% at nominal pipe & fitting diameters
- NSF-61 & NSF372:** Meets all requirements including Annex G, Tyler Union's Underwriters Laboratory listing MH16439.
- ASPHALT COATING:** Per ANSI/AWWA C104/A21.4 and ANSI/AWWA C153/A21.53.
- CEMENT LINING:** Per ANSI/AWWA C104/A21.4, with double cement lining available upon request.
- EPOXY COATING:** Fusion bonded epoxy per ANSI/AWWA C116/A21.16. Additional coatings available upon request.
- BARE FITTINGS:** Available upon request.
- FASTNERS:** High strength low alloy weathering steel per ANSI/AWWA C111/A21.11 and ASTM A242
- INSTALLATION:** Install per AWWA C600/C651 using pipe conforming to ANSI/AWWA C151/A21.51 or AWWA C900/905.



**NOMINAL JOINT DIMENSIONS IN INCHES**

**BOLTS**

Size Inches	A Dia. DI Pipe	B Hub Depth	C Dia. GLAND	D Dia.	F Dia.	J Dia. GLAND	K <sup>1</sup> Dia.	K <sup>2</sup> Dia. GLAND	L	M GLAND	S	T	X	Size	Qty.
2	2.51	2.50	3.50	3.60	2.61	4.75	6.19	6.89	0.58	0.62	0.36	0.30	3/4	5/8x3	2
3	3.96	2.50	4.84	4.94	4.06	6.19	7.62	7.69	0.58	0.62	0.39	0.33	3/4	5/8x3	4
4	4.80	2.50	5.92	6.02	4.90	7.50	9.06	9.12	0.60	0.75	0.39	0.34	7/8	3/4x3-1/2	4
6	6.90	2.50	8.02	8.12	7.00	9.50	11.06	11.12	0.63	0.88	0.43	0.36	7/8	3/4x3-1/2	6
8	9.05	2.50	10.17	10.27	9.15	11.75	13.31	13.37	0.66	1.00	0.45	0.38	7/8	3/4x4	6
10	11.10	2.50	12.22	12.34	11.20	14.00	15.62	15.62	0.70	1.00	0.47	0.40	7/8	3/4x4	8
12	13.20	2.50	14.32	14.44	13.30	16.25	17.88	17.88	0.73	1.00	0.49	0.42	7/8	3/4x4	8
14	15.30	3.50	16.40	16.54	15.44	18.75	20.31	20.25	0.79	1.25	0.55	0.47	7/8	3/4x4-1/2	10
16	17.40	3.50	18.50	18.64	17.54	21.00	22.56	22.50	0.85	1.31	0.58	0.50	7/8	3/4x4-1/2	12
18	19.50	3.50	20.60	20.74	19.64	23.25	24.83	24.75	1.00	1.38	0.68	0.54	7/8	3/4x4-1/2	12
20	21.60	3.50	22.70	22.84	21.74	25.50	27.08	27.00	1.02	1.44	0.69	0.57	7/8	3/4x4-1/2	14
24	25.80	3.50	26.90	27.04	25.94	30.00	31.58	31.50	1.02	1.56	0.75	0.61	7/8	3/4x5	16
30	32.00	4.50	33.29	33.46	32.17	36.88	39.12	39.12	1.31	2.00	0.82	0.66	1-1/8	1x6	20
36	38.30	4.50	39.59	39.76	38.47	43.75	46.00	46.00	1.45	2.00	1.00	0.74	1-1/8	1x6	24
42	44.50	4.50	45.79	45.96	44.67	50.62	53.12	53.12	1.45	2.00	1.25	0.82	1-3/8	1-1/4x6-1/2	28
48	50.80	4.50	52.09	52.26	50.97	57.50	60.00	60.00	1.45	2.00	1.35	0.90	1-3/8	1-1/4x6-1/2	32
54	Available on Request														
60	Available on Request														
64	Available on Request														