

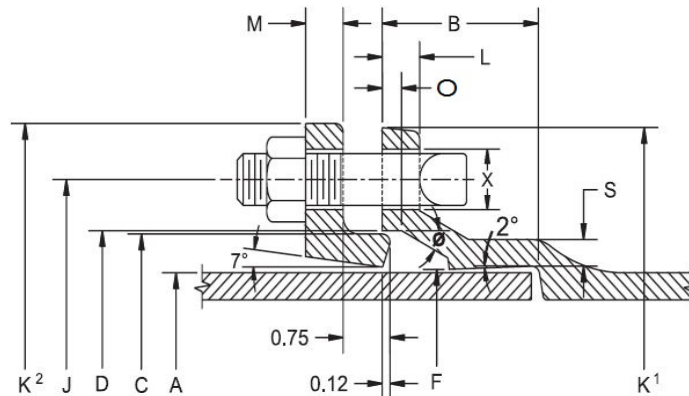
DOMESTIC

NON-DOMESTIC

## SUBMITTAL: C110 MECHANICAL JOINT PRODUCT

(Current revisions for the noted Standards apply)

- SIZES:** 2" - 48"
- STANDARDS:** ANSI/AWWA C110/A21.10, NFPA 13/24, 3" - 12" UL listed and approved (File - Tyler Union)
- MATERIAL:** Cast of ASTM A536 qualified ductile iron. Date code is cast on and required for traceability.
- PRESSURE RATING:** \*Flanged fittings rated at 250 psi. Mechanical joints 2" - 24" rated at 350 psi and 30" - 48" at 250 psi.  
\*Note: With rubber annular ring flange gasket, 2" - 24" Flanged fittings can be rated at 350 psi.  
Note: Wyes over 12" are not pressure rated. Contact Tyler Union for rating in your application.
- DEFLECTION:** Joint deflection 5° max for 2"- 12" and 3° max for 14"- 48". Reduces by 50% at nominal pipe & fitting diameters
- NSF-61 & NSF372:** Meets all requirements including Annex G, Tyler Union's Underwriters Laboratory listing MH16439.
- ASPHALT COATING:** Per ANSI/AWWA C104/A21.4 and ANSI/AWWA C110/A21.10.
- CEMENT LINING:** Per ANSI/AWWA C104/A21.4, with double cement lining available upon request.
- EPOXY COATING:** Fusion bonded epoxy per ANSI/AWWA C116/A21.16. Additional coatings available upon request.
- BARE FITTINGS:** Available upon request.
- FASTNERS:** High strength low alloy weathering steel per ANSI/AWWA C111/A21.11 and ASTM A242
- INSTALLATION:** Install per AWWA C600/C651 using pipe conforming to ANSI/AWWA C151/A21.51 or AWWA C900/905.



NOMINAL JOINT DIMENSIONS IN INCHES

Size Inches	A Dia. DI Pipe	B Hub Depth	C Dia. GLAND	D Dia.	F Dia.	Ø	X	J Dia. GLAND	K <sup>1</sup> Dia.	K <sup>2</sup> Dia. GLAND	L	M GLAND	O	S	Qty. BOLTS
2	2.51	2.50	3.39	3.50	2.61	28°	3/4	4.75	6.25	6.25	0.73	0.62	0.31	0.44	2
3	3.96	2.50	4.84	4.94	4.06	28°	3/4	6.19	7.69	7.69	0.94	0.62	0.31	0.52	4
4	4.80	2.50	5.92	6.02	4.90	28°	7/8	7.50	9.12	9.12	1.00	0.75	0.31	0.65	4
6	6.90	2.50	8.02	8.12	7.00	28°	7/8	9.50	11.12	11.12	1.06	0.88	0.31	0.70	6
8	9.05	2.50	10.17	10.27	9.15	28°	7/8	11.75	13.37	13.37	1.12	1.00	0.31	0.75	6
10	11.10	2.50	12.22	12.34	11.20	28°	7/8	14.00	15.69	15.62	1.19	1.00	0.31	0.80	8
12	13.20	2.50	14.32	14.44	13.30	28°	7/8	16.25	17.94	17.88	1.25	1.00	0.31	0.85	8
14	15.30	3.50	16.40	16.54	15.44	28°	7/8	18.75	20.31	20.25	1.31	1.25	0.31	0.89	10
16	17.40	3.50	18.50	18.64	17.54	28°	7/8	21.00	22.56	22.50	1.38	1.31	0.31	0.97	12
18	19.50	3.50	20.60	20.74	19.64	28°	7/8	23.25	24.83	24.75	1.44	1.38	0.31	1.05	12
20	21.60	3.50	22.70	22.84	21.74	28°	7/8	25.50	27.08	27.00	1.56	1.44	0.31	1.12	14
24	25.80	3.50	26.90	27.04	25.94	28°	7/8	30.00	31.58	31.50	1.62	1.56	0.31	1.22	16
30	32.00	4.00	33.29	33.46	32.17	20°	1-1/8	36.88	39.12	39.12	1.81	2.00	0.38	1.50	20
36	38.30	4.00	39.59	39.76	38.47	20°	1-1/8	43.75	46.00	46.00	2.00	2.00	0.38	1.80	24
42	44.50	4.00	45.79	45.96	44.67	20°	1-3/8	50.62	53.12	53.12	2.00	2.00	0.38	1.95	28
48	50.80	4.00	52.09	52.26	50.97	20°	1-3/8	57.50	60.00	60.00	2.00	2.00	0.38	2.20	32